



Figure 1

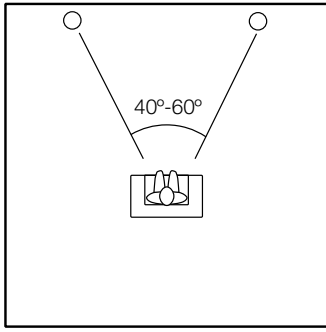


Figure 2

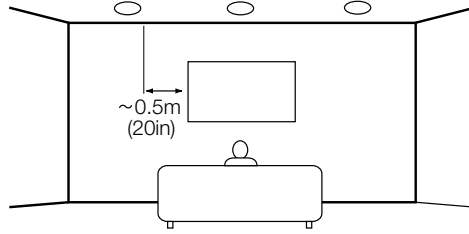


Figure 3

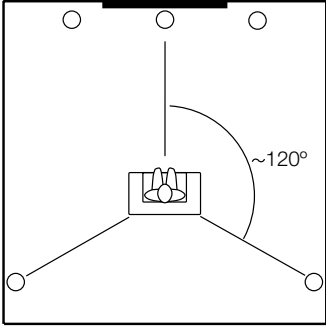


Figure 4

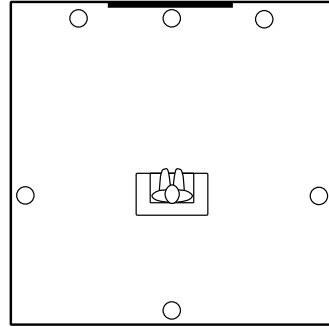


Figure 5

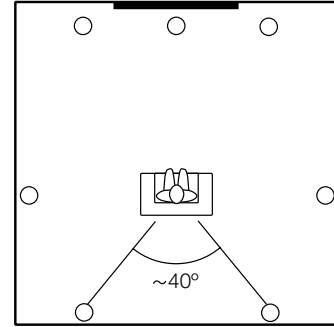


Figure 6a

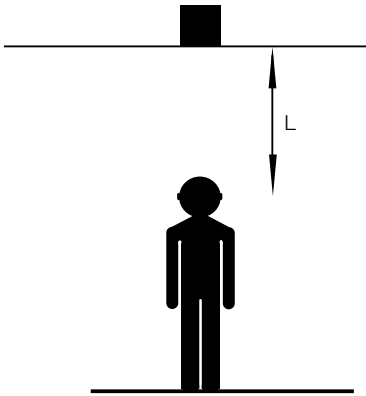


Figure 6b

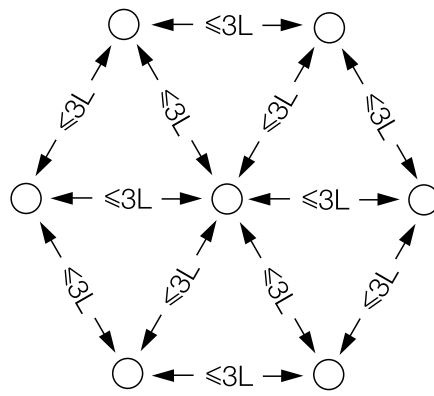


Figure 7

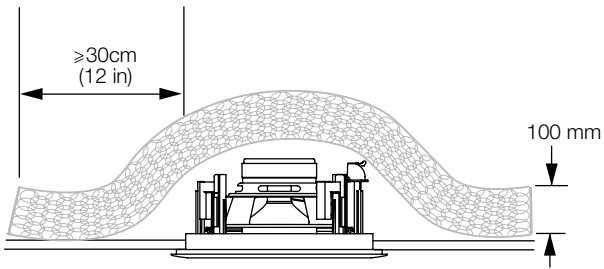


Figure 8

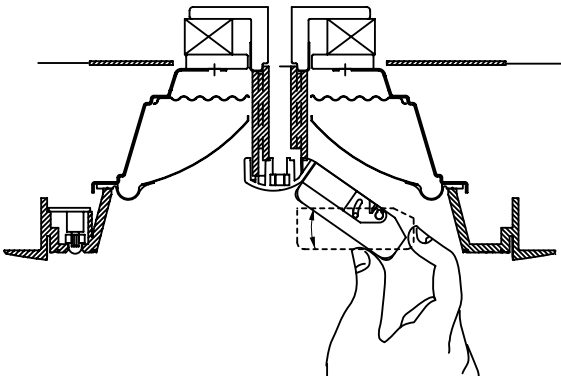


Figure 9

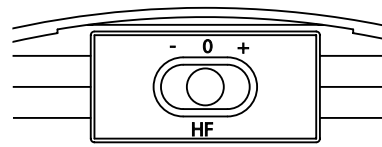
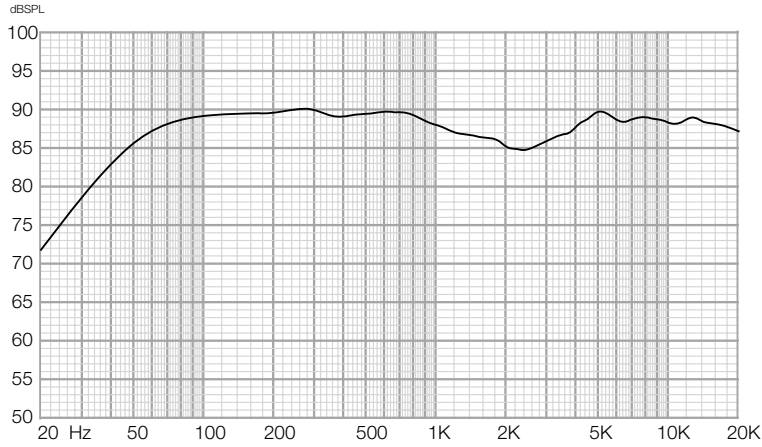


Figure 10

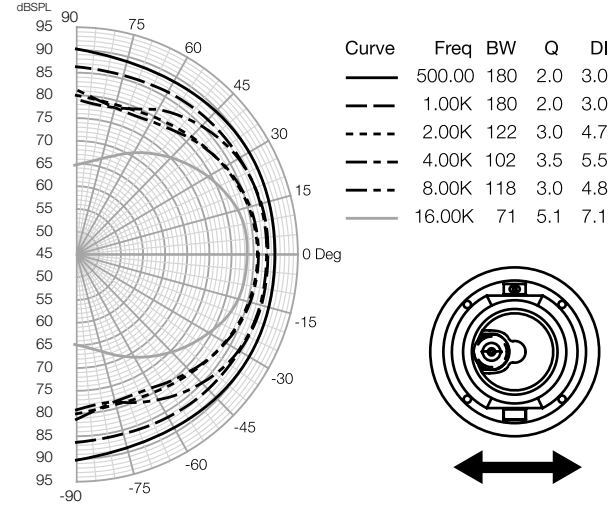
AWG	0.2 Ω	0.3 Ω	0.4 Ω	0.5 Ω	Loop Resistance
20	10	15	20	25	Feet
18	16	23	31	39	
16	25	37	49	62	
14	39	59	78	98	
12	62	93	124	155	
10	98	147	196	245	
9	123	185	247	309	

mm ²	0.2 Ω	0.3 Ω	0.4 Ω	0.5 Ω	Loop Resistance
0.5	2.9	4.4	5.9	7.4	Metres
0.75	4.4	6.6	8.8	11.0	
1	5.9	8.8	11.8	14.7	
1.5	8.8	13.2	17.6	22.1	
2.5	14.7	22.1	29.4	36.8	
4	23.5	35.3	47.1	58.8	
6	35.3	52.9	70.6	88.2	

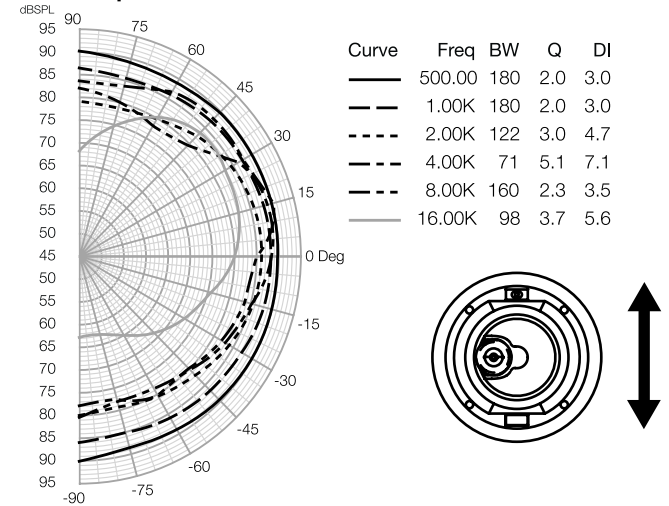
Frequency response



Polar Response Horizontal



Polar Response Vertical



English

Limited Warranty

Dear customer, welcome to B&W.

This product has been designed and manufactured to the highest quality standards. However, if something does go wrong with this product, B&W Loudspeakers and its national distributors warrant free of charge labour (exclusion may apply) and replacement parts in any country served by an official B&W distributor.

This limited warranty is valid for a period of five years from the date of purchase or two years for electronics including amplified loudspeakers.

Terms and Conditions

- 1 The warranty is limited to the repair of the equipment. Neither transportation, nor any other costs, nor any risk for removal, transportation and installation of products is covered by this warranty.
- 2 This warranty is only valid for the original owner. It is not transferable.
- 3 This warranty will not be applicable in cases other than defects in materials and/or workmanship at the time of purchase and will not be applicable:
 - a. for damages caused by incorrect installation, connection or packing,
 - b. for damages caused by any use other than correct use described in the user manual, negligence, modifications, or use of parts that are not made or authorised by B&W,
 - c. for damages caused by faulty or unsuitable ancillary equipment,
 - d. for damages caused by accidents, lightning, water, fire heat, war, public disturbances or any other cause beyond the reasonable control of B&W and its appointed distributors,
 - e. for products whose serial number has been altered, deleted, removed or made illegible,
 - f. if repairs or modifications have been executed by an unauthorised person.
- 4 This guarantee complements any national/regional law obligations of dealers or national distributors and does not affect your statutory rights as a customer.

How to claim repairs under warranty

Should service be required, please follow the following procedure:

- 1 If the equipment is being used in the country of purchase, you should contact the B&W authorised dealer from whom the equipment was purchased.
- 2 If the equipment is being used outside the country of purchase, you should contact B&W national distributor in the country of residence who will advise

where the equipment can be serviced. You can call B&W in the UK or visit our web site to get the contact details of your local distributor.

To validate your warranty, you will need to produce this warranty booklet completed and stamped by your dealer on the date of purchase. Alternatively, you will need the original sales invoice or other proof of ownership and date of purchase.

Owner's manual

Introduction

Thank you for purchasing Bowers and Wilkins CCM speakers.

Since its foundation in 1966, the continuing philosophy of B&W has been the quest for perfect sound reproduction. Inspired by the company's founder, the late John Bowers, this quest has entailed not only high investment in audio technology and innovation but also an abiding appreciation of music and movies to ensure that the technology is put to maximum effect.

These CCM speakers are intended for in-ceiling applications. They feature adjustment for tweeter angle and output level so that their performance may be tailored to a wide variety of practical conditions.

However, no matter how good the speakers themselves, they will not deliver their full potential unless properly installed. Please read through this manual fully. It will help you optimise the performance of the system.

B&W distributes to over 60 countries worldwide and maintains a network of dedicated distributors who will be able to help should you have any problems your dealer cannot resolve.

Check the contents

This pack should contain:

- 2x Frame/baffle with drivers and crossover
- 2x Grille
- 2x Paint mask
- 2x Mounting template

Choosing the position

Check that there is no conflict with other installations (pipe work, air conditioning, power cabling etc.). In existing drywall construction, use a stud-finding tool to map the construction accurately and a pipe detector to scan the proposed installation position.

Ensure that there is enough clearance behind the plasterboard (sheetrock) for the clamps to swing out fully.

Avoid installing the speakers in the same cavity as flimsy ducting, which may be induced to rattle.

The speakers are designed to operate satisfactorily in a wide range of cavity volumes, ideally above 10 litres (0.4 cu ft), so make sure the volume is not too restricted.

The speakers are balanced for half-space mounting (ie flush in a ceiling or soffit). Placement near a wall/ceiling junction or in a corner may give rise to too much bass and a boomy quality to the sound. Try to keep the speakers at least 0.5m (20in) from wall/ceiling edges.

The following sections give guidance on optimum positioning, but this may be modified in line with domestic constraints.

WARNING: The speakers produce a static magnetic field. They should not be placed within 0.5m (20in) of equipment that may be affected by such a field (eg Cathode Ray Tubes in TVs and Personal Computers).

Front speakers for audio or home theatre

Best imaging for 2-channel is obtained when the speakers are mounted in the ceiling, making an angle between 40° and 60° at the centre of the listening position. (figure 1)

For multi-channel home theatre the left and right speakers should be approximately 0.5m (20 in) to the left and right of the screen and about 0.5m (20 in) from the plane of the screen or from the front wall in the case of an audio-only installation. (figure 2)

Surround speakers

The speakers should be positioned in the ceiling about 0.5m (20 in) away from the wall.

5.1 channel

The horizontal angle to the centre of the listening position should be approximately 120° round from the centre of the screen. (figure 3)

6.1 channel

Position two speakers to the sides in line with the centre of the listening area and one centrally behind the listeners (figure 4)

7.1 channel

Position two speakers to the sides in line with the centre of the listening area and two behind the listeners, subtending an angle of approximately 40°. (figure 5)

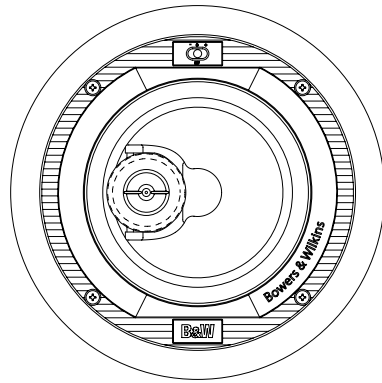
Distributed audio

To maintain clarity and speech intelligibility, it's important that listeners are never too far off axis of the nearest speaker. The speaker spacing will depend on the height of the ceiling and the level of sound required. More speakers played at a lower level will give better clarity. We recommend that the distance between adjacent speakers is no more than 3 times the distance between average ear height and the ceiling. For any given spacing, there will be fewer weak spots with a triangular grid than a rectangular one. (figure 6)

PREPARING THE LOCATION

Choosing cable

Excessive resistance in the speaker cable wastes power and alters the frequency response of the speaker. Always try to keep



CCM626

Description	2-way in-ceiling speaker system
Drive units	1x 25mm (1in) high-frequency 1x 165mm (6.5 in) woven fibreglass mid/bass
Frequency range	-6dB at 40Hz and 30kHz
Frequency response	50Hz - 22kHz ± 3dB
Sensitivity	89dB spl (2.83V, 1m)
Nominal impedance	8Ω (minimum 3.1Ω)
Crossover frequency	3.2kHz
Recommended amplifier power	20W-130W continuous into 8Ω on unclipped programme
Frame size	Diameter: 232mm (9.1in)
Cut-out size	Diameter: 205mm (8.1in)
Min depth req	103mm (4.1in) from ceiling surface
Net weight	1.5kg (3.3lb)
PMK	PMKc65

