



English

Limited Warranty

Dear customer,

Welcome to B&W.

This product has been designed and manufactured to the highest quality standards. However, if something does go wrong with this product, B&W Loudspeakers and its national distributors warrant free of charge labour (exclusion may apply) and replacement parts in any country served by an official B&W distributor.

This limited warranty is valid for a period of five years from the date of purchase or two years for electronics including amplified loudspeakers.

Terms and Conditions

- 1 The warranty is limited to the repair of the equipment. Neither transportation, nor any other costs, nor any risk for removal, transportation and installation of products is covered by this warranty.
- 2 This warranty is only valid for the original owner. It is not transferable.
- 3 This warranty will not be applicable in cases other than defects in materials and/or workmanship at the time of purchase and will not be applicable:
 - a. for damages caused by incorrect installation, connection or packing,
 - b. for damages caused by any use other than correct use described in the user manual, negligence, modifications, or use of parts that are not made or authorised by B&W,
 - c. for damages caused by faulty or unsuitable ancillary equipment,
 - d. for damages caused by accidents, lightning, water, fire heat, war, public disturbances or any other cause beyond the reasonable control of B&W and its appointed distributors,
 - e. for products whose serial number has been altered, deleted, removed or made illegible,
 - f. if repairs or modifications have been executed by an unauthorised person.
- 4 This guarantee complements any national/regional law obligations of dealers or national distributors and does not affect your statutory rights as a customer.

How to claim repairs under warranty

Should service be required, please follow the following procedure:

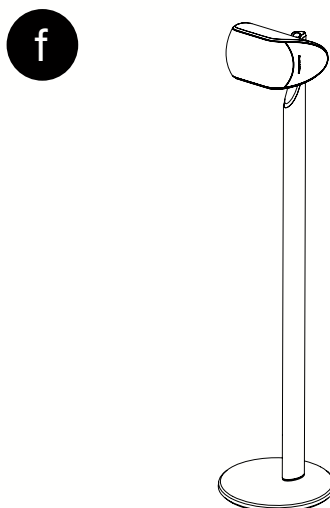
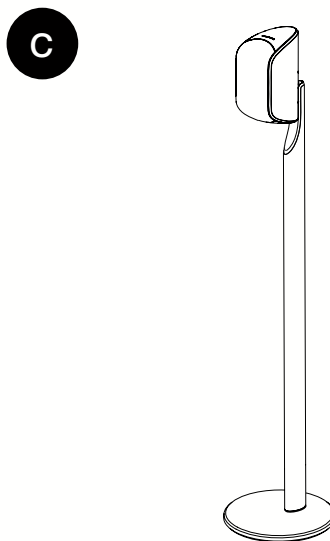
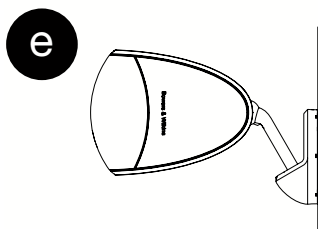
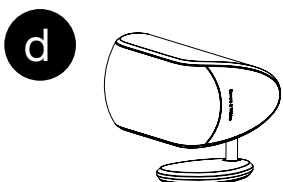
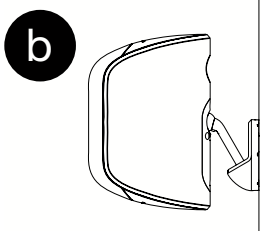
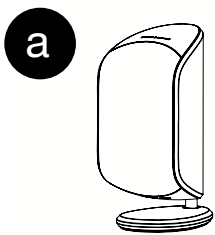
- 1 If the equipment is being used in the country of purchase, you should contact the B&W authorised dealer from whom the equipment was purchased.
- 2 If the equipment is being used outside the country of purchase, you should contact the B&W national distributor in the country of residence who will

advise where the equipment can be serviced. You can call B&W in the UK or visit our web site to get the contact details of your local distributor.

To validate your warranty, you will need to produce this warranty booklet completed and stamped by your dealer on the date of purchase. Alternatively, you will need the original sales invoice or other proof of ownership and date of purchase.

Styles

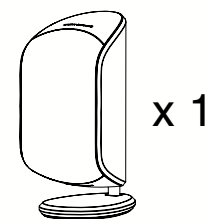
Styles ● Montagemöglichkeiten ● Estilos ● Estilos ● Installazioni possibili ● Stijl ● Στυλ ● Способы монтажа ● Styl ● Sposoby zamocowania ● Modellek ● Alternativer ● Alternativ ● スタイル ● 式様



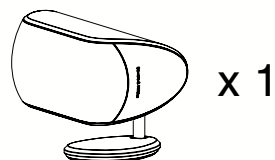
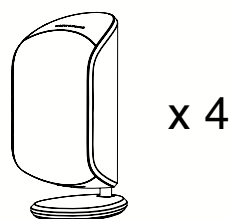
Contents

Contenu ● Inhalt ● Contenido ● Conteúdo ● Contenuto ● Inhoud ● Περιεχόμενα ● Комплектация ● Obsah ● Zawartość ● Tartalom ● Indhold ● Innehåll ● コンテンツ ● 内容

(1 piece)

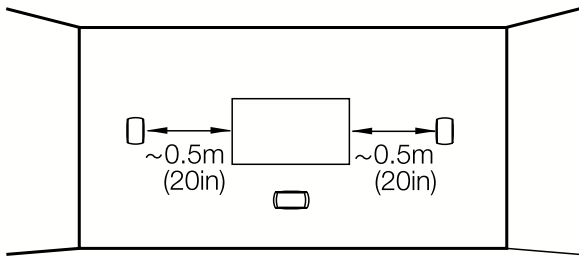


(5 pieces)

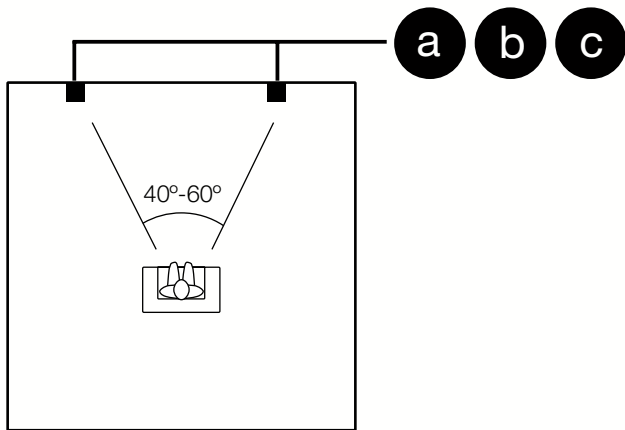


Positioning

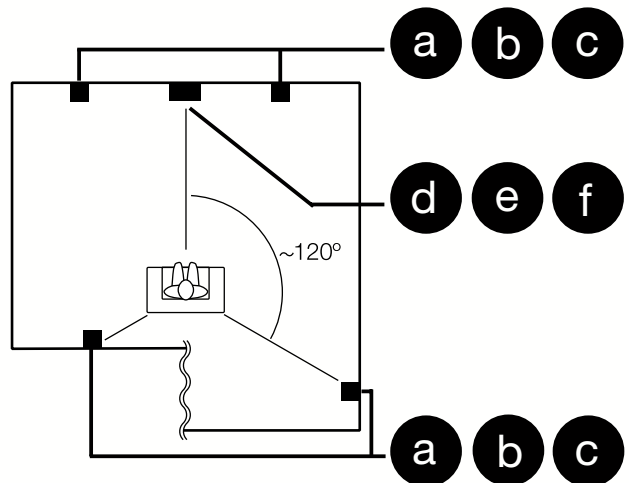
Positionnement ● Positionierung ● Colocación ● Posicionamento ● Posizionamento ● Opstelling ● Τοποθέτηση ● Размещение ● Umístění ● Ustawienie ● Elhelyezés ● Positionering ● Placering ● ポジショニング ● 位置



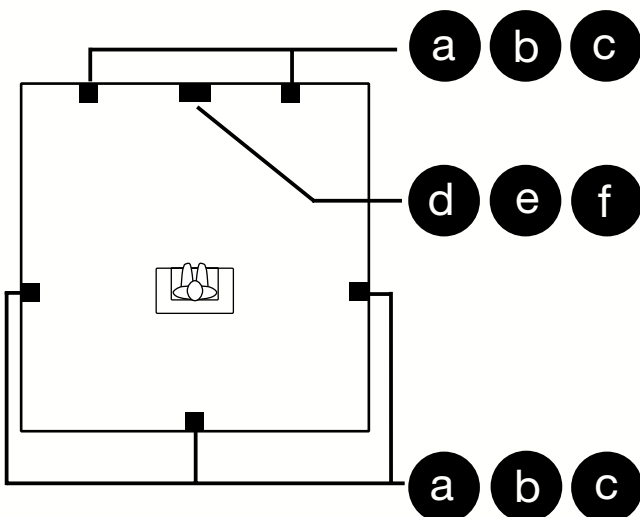
2-channel



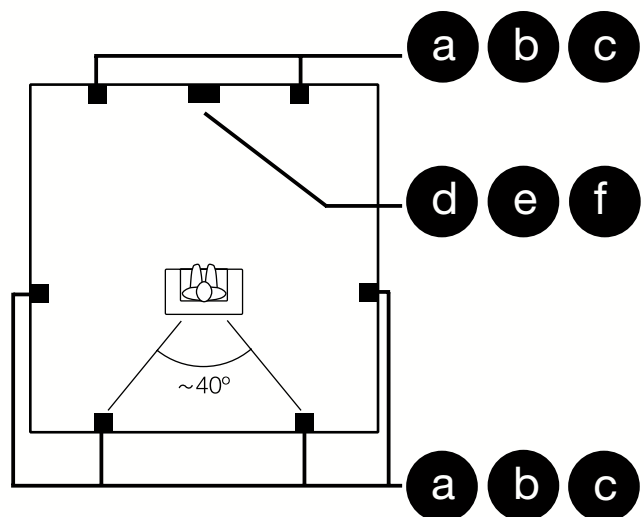
5.1-channel



6.1-channel

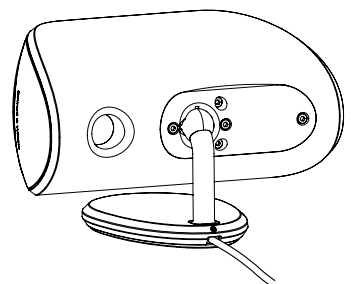
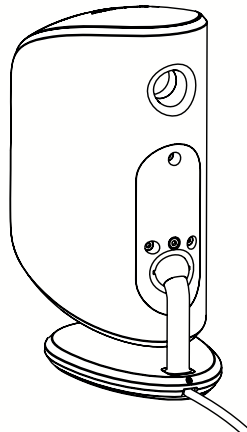
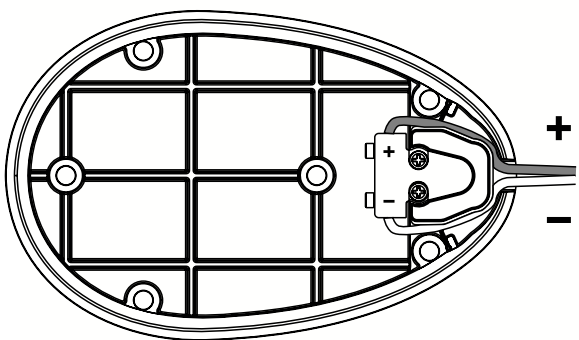
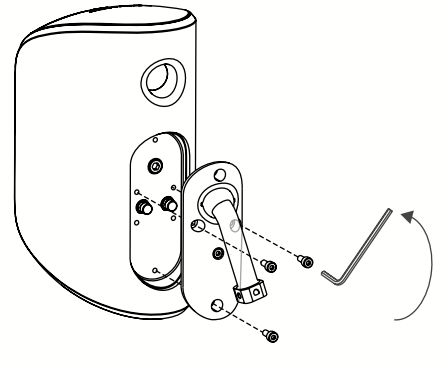
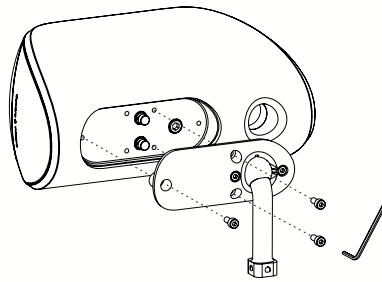
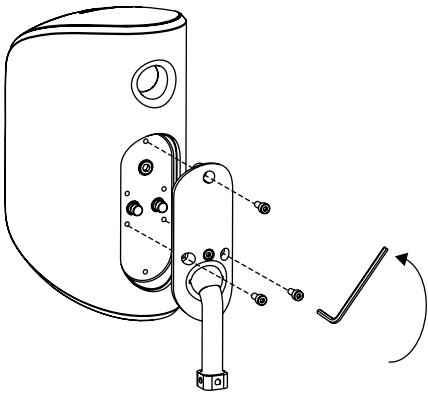
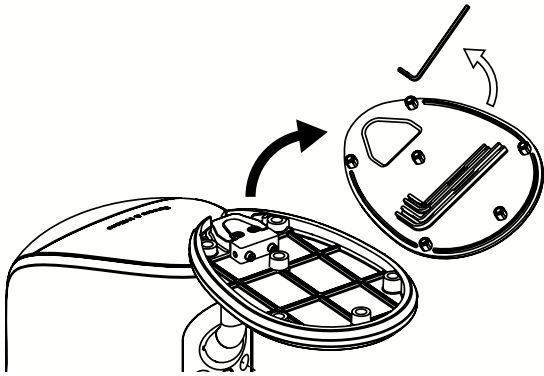


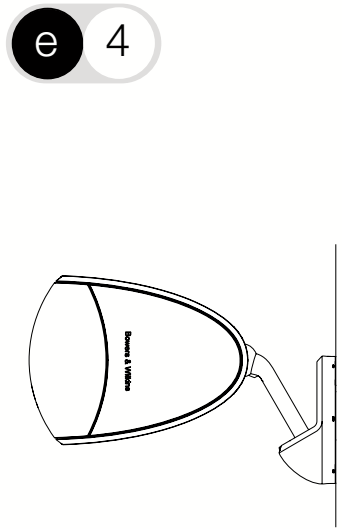
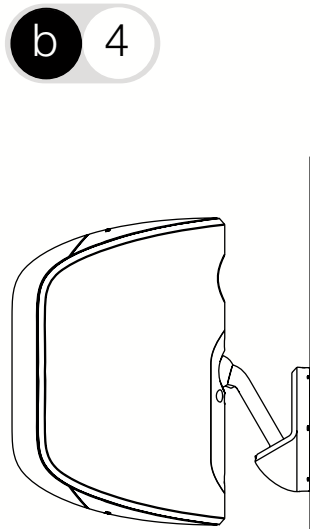
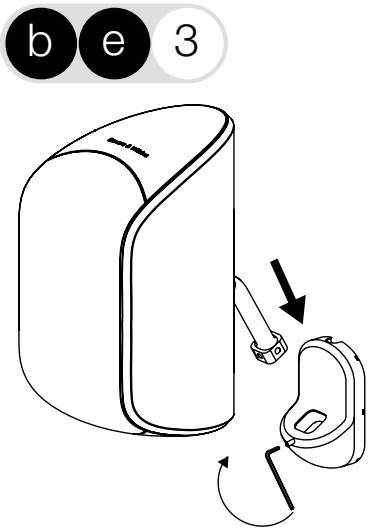
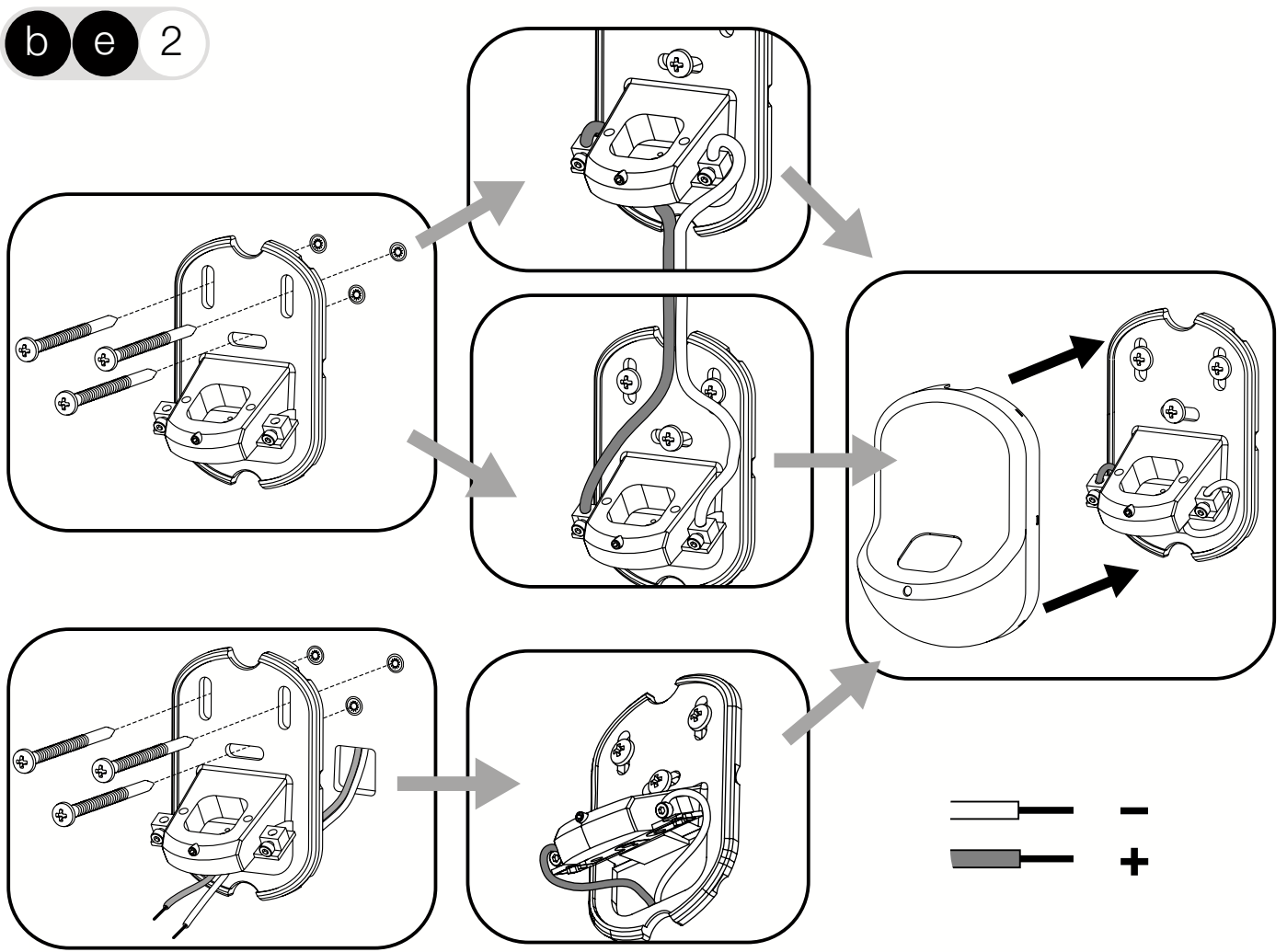
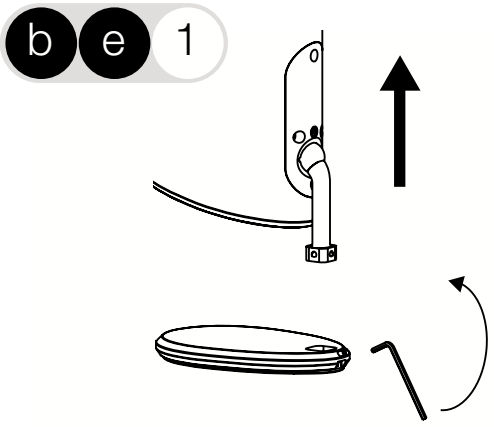
7.1-channel



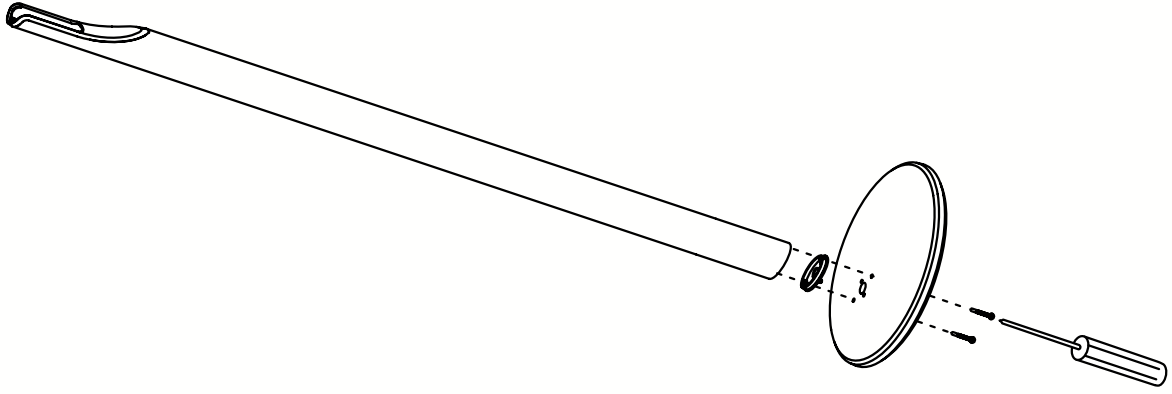
Installation and connection

Installation et connexions ● Installation und Anschluss der Lautsprecher ● Instalación y conexión ● Instalação e ligação ● Installazione e collegamenti ● Installeren en aansluiten ● Εγκατάσταση και σύνδεση ● Установка и подсоединение ● Instalace a propojení ● Instalacja i podłączenie ● Beépítés és csatlakoztatás ● Installation og tilslutning ● Installation och anslutningar ● 設置および接続 ● 安裝及連接

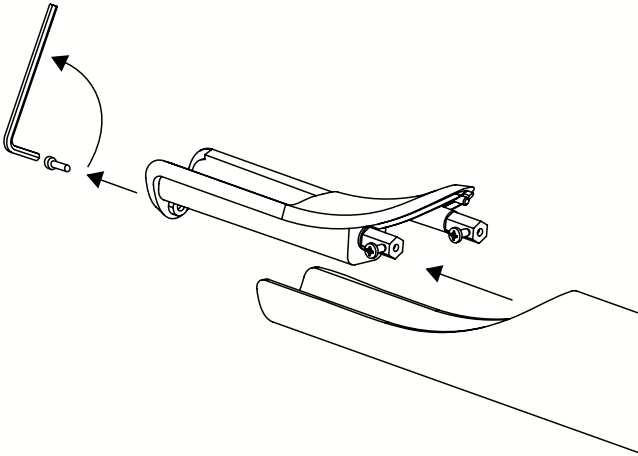




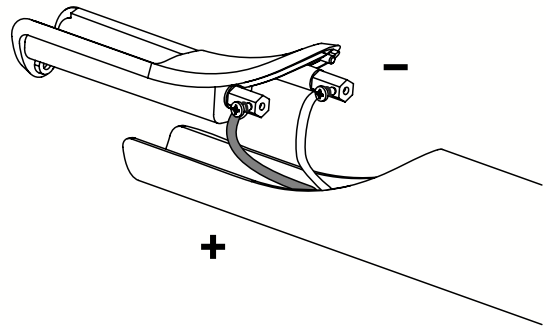
c f 1



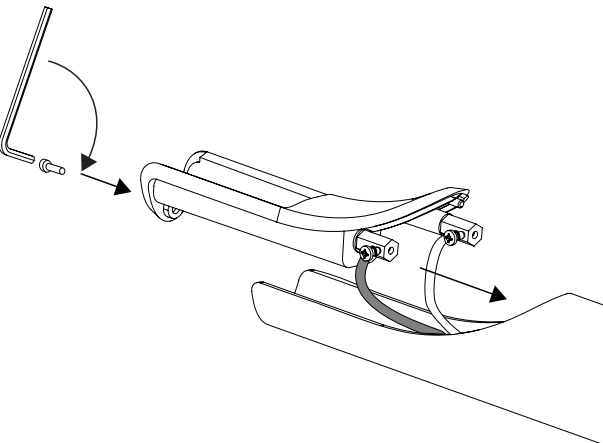
c f 2



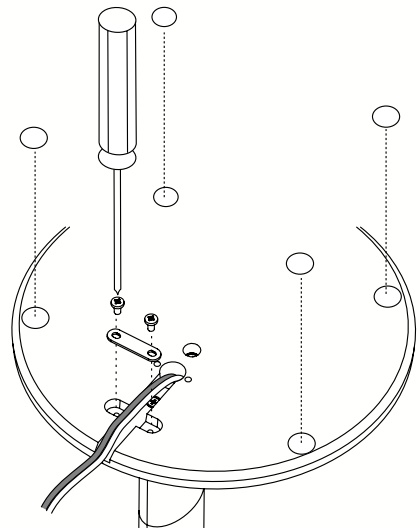
c f 3



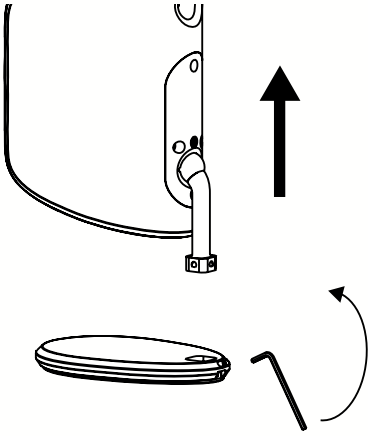
c f 4



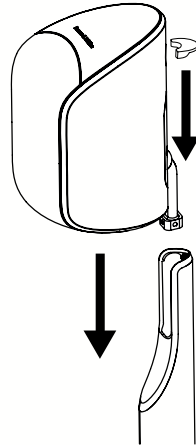
c f 5



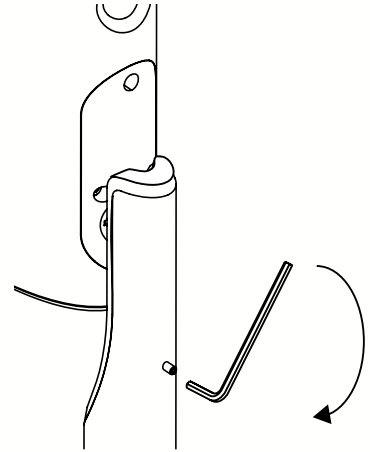
c f 6



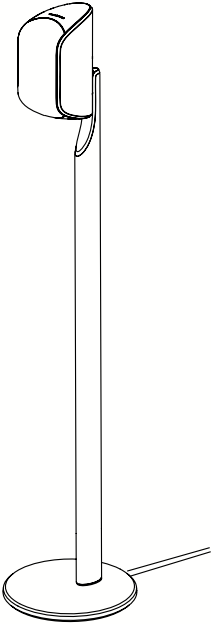
c f 7



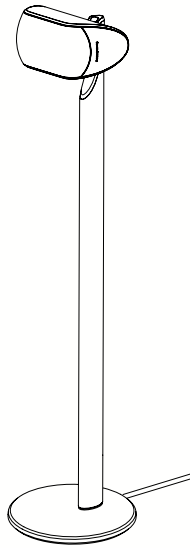
c f 8



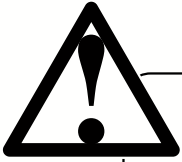
c 9



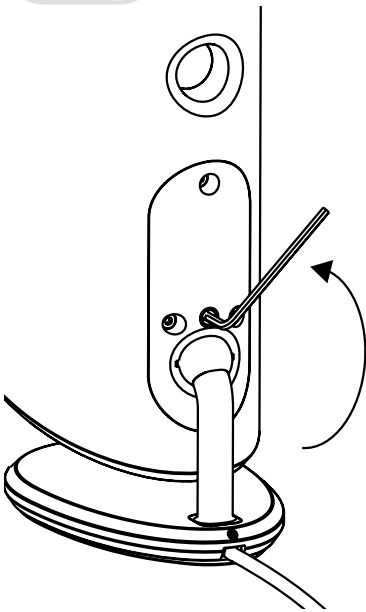
f 9



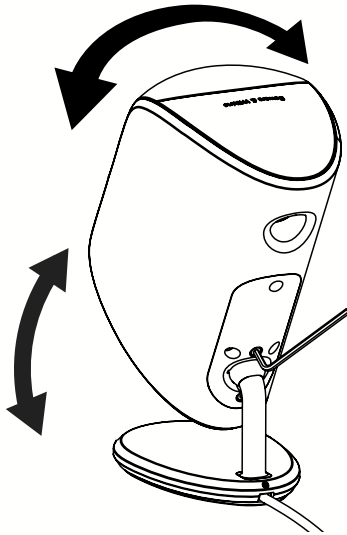
1



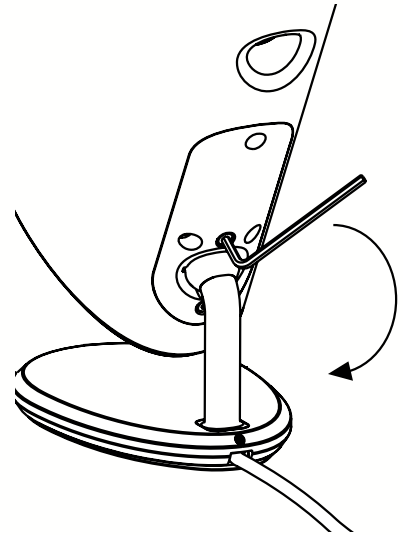
2



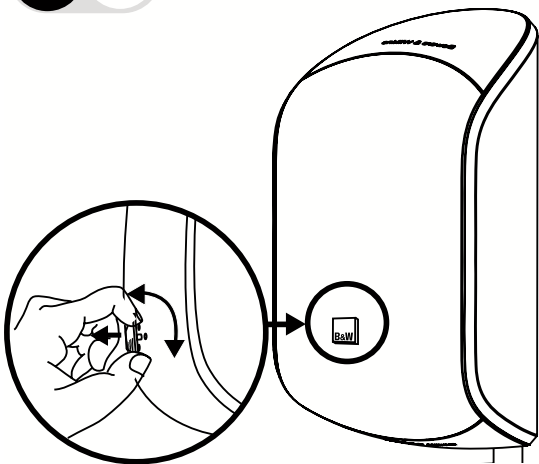
3



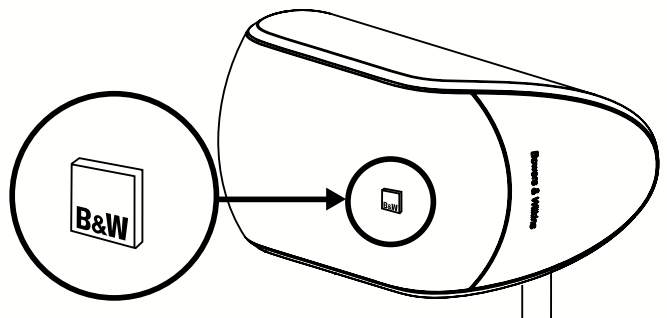
4

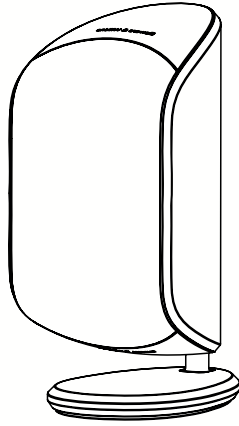


1



2





M-1

Technical features	Metal dome Nautilus™ tweeter Woven glass fibre cone bass/midrange
Description	2-way vented-box system
Drive units	1x ø25mm (1in) metal dome high-frequency 1x ø100mm (4in) woven glass fibre cone bass/midrange
Frequency range	-6dB at 72Hz and 50kHz
Frequency response	80Hz - 23kHz ±3dB on reference axis
Dispersion	Within 2dB of response on reference axis Horizontal: over 60° arc Vertical: over 10° arc
Sensitivity	85dB spl (2.83V, 1m)
Harmonic distortion	2nd & 3rd harmonics (88dB, 1m) <1% 120Hz - 30kHz <0.5% 250Hz - 22kHz
Nominal impedance	8Ω (minimum 4.8Ω)
Crossover frequencies	4kHz
Power handling	20W-100W into 8Ω on unclipped programme
Max. recommended cable impedance	0.1Ω
Dimensions	Height: 243mm (9.6 in) Width: 114mm (4.5 in) Depth: 172mm (6.8 in) Mounted on table stand
Net Weight	2.7 kg (6 lb)