



Figure 1

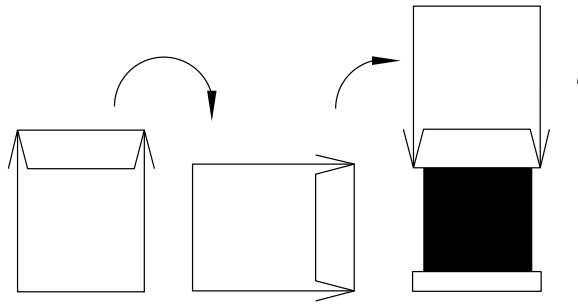


Figure 2a

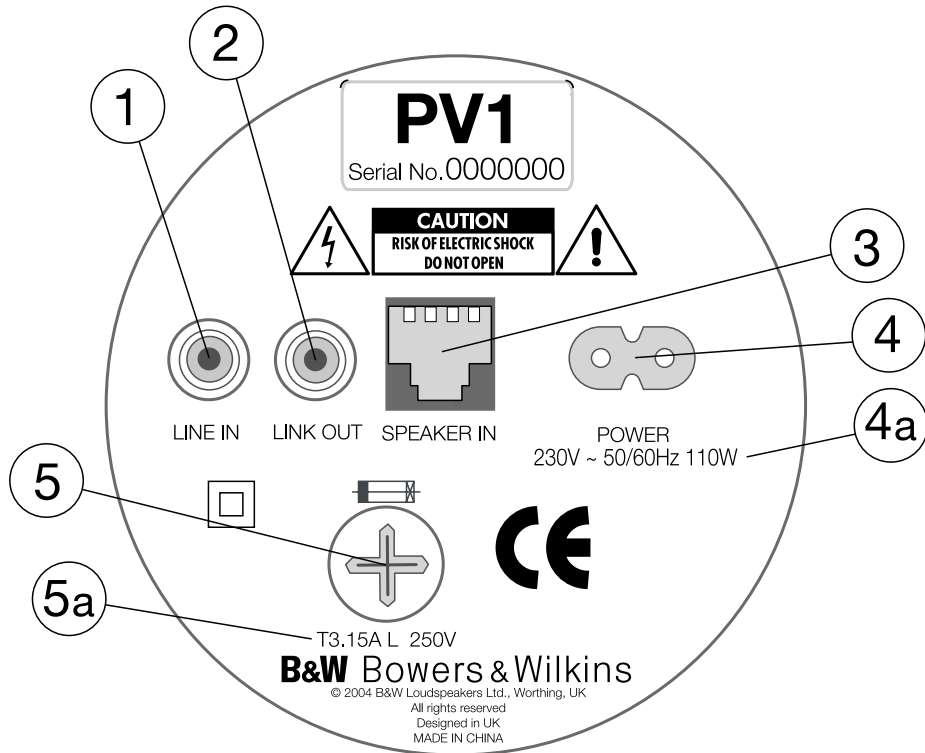


Figure 2b

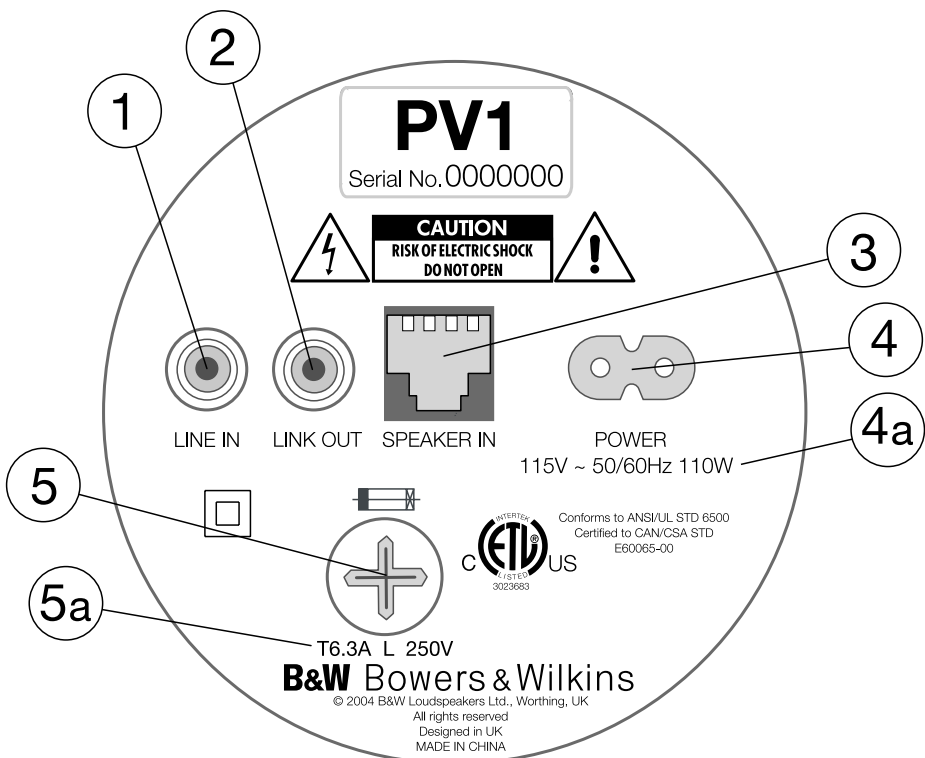


Figure 2c

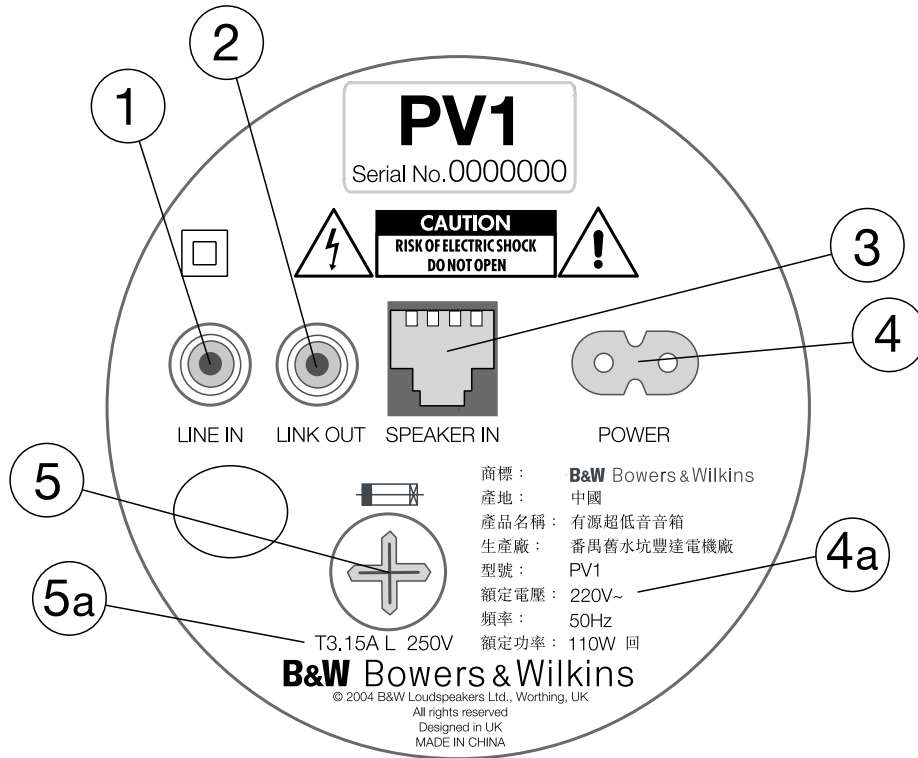


Figure 2d

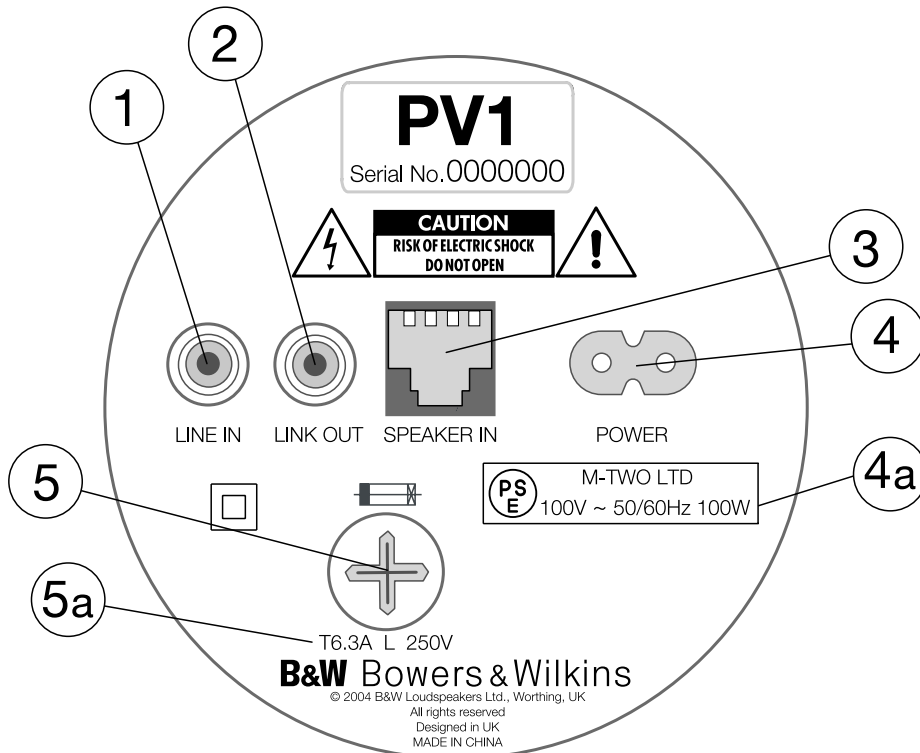


Figure 3

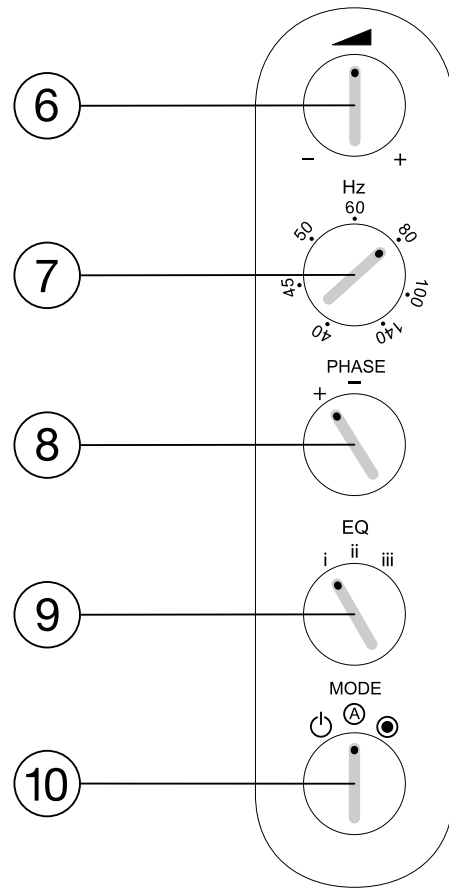


Figure 4

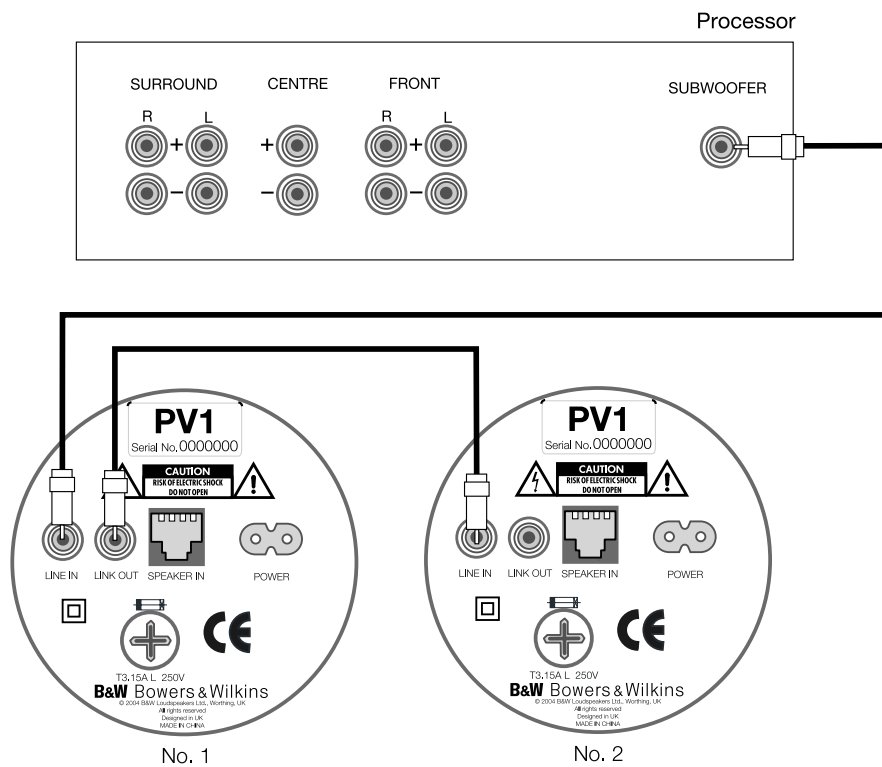


Figure 5

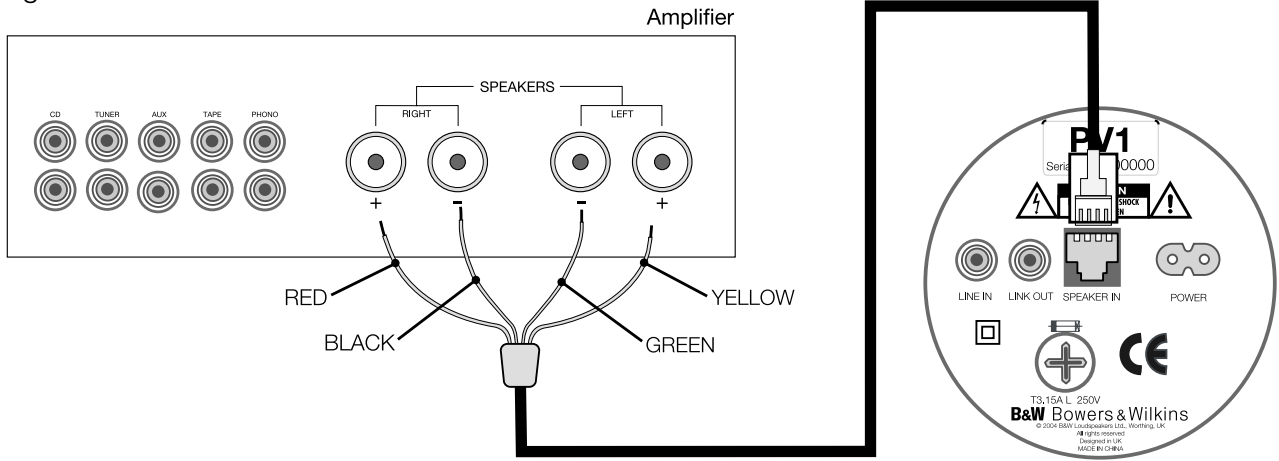
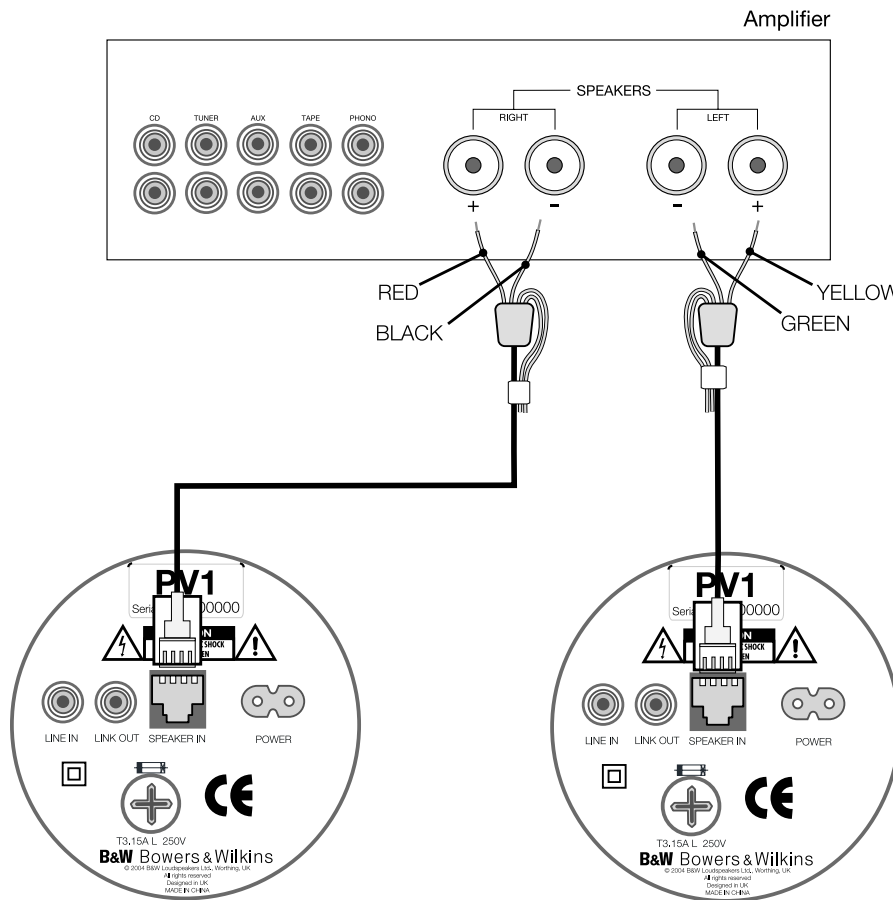
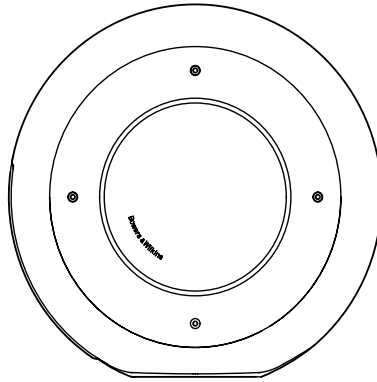


Figure 6





PV1

Description	Active closed-box subwoofer system
Drive units	2x ø200mm (8 in) mica/aluminium cone long-throw
Frequency range	-6dB at 18Hz and 40/140Hz adjustable (EQ at i)
Frequency response	±3dB 21Hz – 31/110Hz adjustable (EQ at i)
Amplifier	Power output: 500W continuous Input impedance: 100 kΩ Signal / noise: >90dB Functions: Volume level Low-pass filter frequency Bass roll-off alignment Auto sense on/standby Phase switch Inputs: Line In (RCA Phono) Speaker Level In (RJ11) Outputs: Link Out (RCA Phono)
Low-Pass Filter	Active 2nd-order, variable cut-off frequency (applies only to speaker level input)
Dimensions	Height: 335.5mm (13.2 in) Width: 289mm (11.4 in) Depth: 347mm (13.7 in)
Net Weight	20.5kg (45 lb)